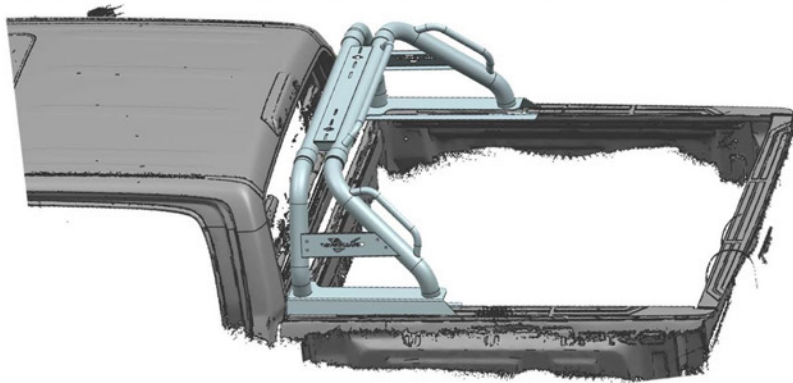


VANGUARD CLASSIC BED BAR



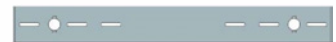
Contents . Contenu . Contenido



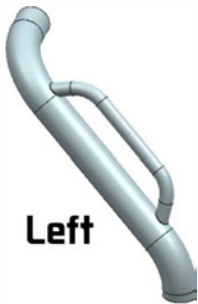
Cross bar 1 1X



Cross bar 2 1X



Fixed plate 1X



Left



**Left trim panel 2X
(bilateral symmetry)**



Left

**Roller bar main body3 2X
(bilateral symmetry)**



Holster 4X

**Roller bar main body4 2X
(bilateral symmetry)**



**Left base 2X
(bilateral symmetry)**



Irregular gasket 4X



Rubber mat 4X



Heterogeneous nut 4X



M10*30 12X



M10 12X



M8*20 4X



M8 4X



M8*30 2X



M8 2X



M8 2X



M10 8X



M10 8X



M6*14 8X



M6 8X



M10 1X

①

Put the iron sheet in two positions in front of the base according to the above picture.

②

Put leather covers on the bottoms of main body 3 and main body 4, then install them on the base, and fix them with m10 *30 screws and gaskets.

③

Install the decorative plates on both sides, and fix with M6 *14 hexagon socket screws and gaskets.

④

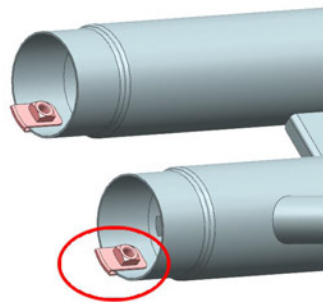
Put leather covers on the main body 3 and 4.

5



Fix the opposite sex nuts at both ends of the cross bar according to the arrow.

6



Be careful to align the holes, otherwise it will be difficult to screw in.

7



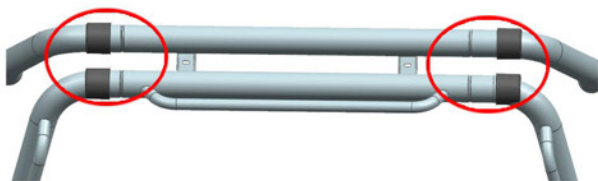
Put the crossbar with bean in the front,

8



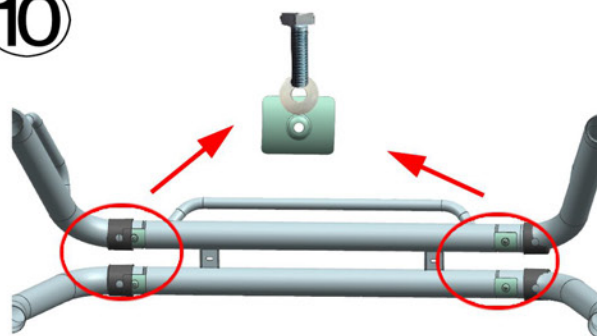
Then install the crossbar without bean in.

9



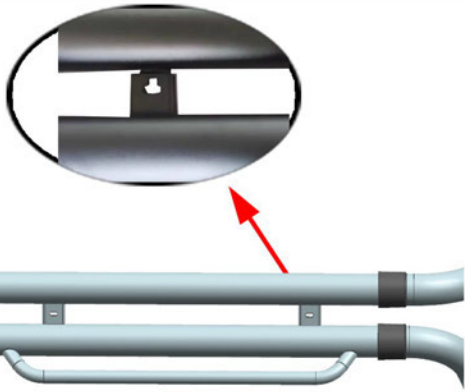
Get four holsters to the side first.

10



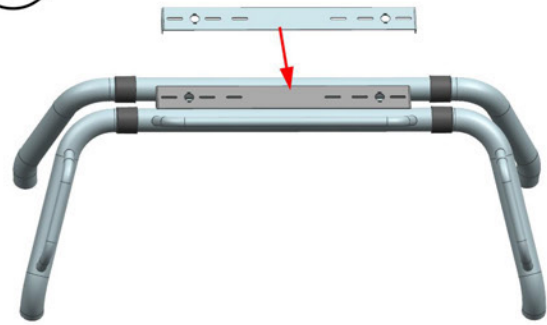
Then find the hole position under the pipe, put the opposite gasket, align the hole position, and fix with M8 *20 screws and gaskets. Finally, restore the four leather pads to their original state and put them in the middle to block the gaskets.

11



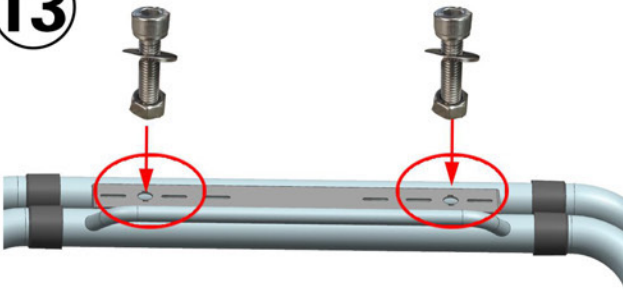
Place the screw hole of the cross bar 2 under the cross bar 1 and align the hole position.

12



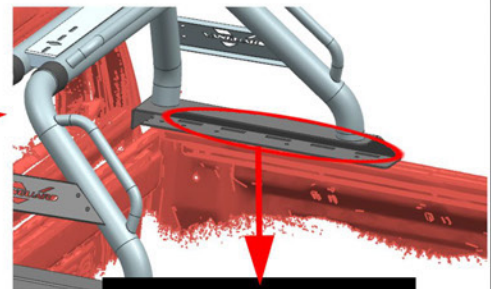
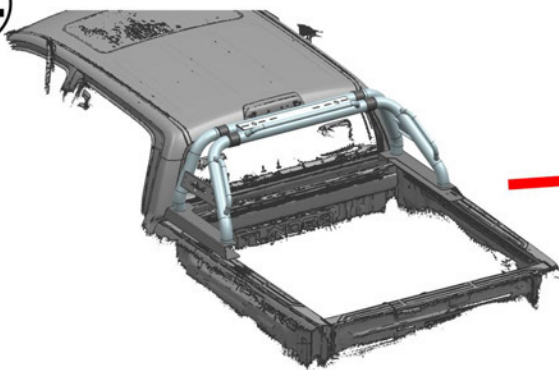
Then put the fixing plate between the two pipes and align the holes.

13



Fix with M8 *30 screws, washers and nuts.

14



Mark hole

Put the installed products in the front of the carriage, as shown in the figure.
 After alignment, punch holes at the marked holes, and enlarge the holes to M10.
 Then put Ram into the holes with a Ram device, and then put the products up again.
 After alignment, fix them with M10 *30 screws, washers and nuts, and pay attention to tightening them.